

Tractor Range



Hydraulic Gear Pumps

PROFILE



BOSS Hydraulics LLP (Formerly Known as SS Hydraulics) is an **ISO 9001:2015** Certified Company. We produce Hydraulic Gear Pumps with Cast Iron and Aluminium extrusion housing, Hydraulic Mini Power Packs (AC, DC) and Hand Pump under the brand name of **BOSS. SINCE THE YEAR 2000...**

BOSS Hydraulics LLP has Customer across the globe **BOSS HYDRAULICS LLP**, having state of the art manufacturing facilities, incorporates the largest process technologies, It is able to meet varied customer needs with range of over 100 different types of hydraulic pumps with displacement ranging from 1 cc to 110 cc with maximum pressure of 250 Bar.

BOSS Hydraulics LLP also having Distribution Division of Hydraulic Parts like Hydraulic Motors, Hydraulic Steering Units, Hydraulic Control Valves which are Imported from across the Globe and distributing in India under the brand of **MERBOK (www.merbok.in)**.

BOSS Hydraulics LLP exports under the **Brand of MERBOK** to more than **23 countries**, including **UK, ITALY, FRANCE, POLAND, BELARUS, ROMANIA, SLOVAKIA, SLOVENIA, FRANCE, EGYPT, UAE, MALAYSIA, VIETNAM** etc...



Global Presence



23+
Countries

www.merbok.in

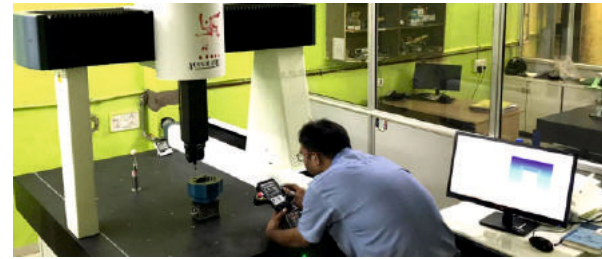


« DESIGN »

BH has Designing with 3D Software Solidworks 2020 for Modelling and Drafting.
BH has Reverse Engineering Facility with CMM with PH20 Auto-Probing 5-Axis System (Renishaw).

QUALITY »

- Quality with Precise Measurement (0.00001mm) with CMM make Accurate Spectra, using PH20 5-Axis Infinite Indexing Touch Trigger system. Measuring Range: X-600mm, Y-1000mm, Z-500mm
- Digital Height Gauge with (0.001mm) measurement, make Trimos from Switzerland. Measuring Range 400mm
- Surface value measurement with Roughness Tester make- mitutoyo.



« VMC SHOP »

HAAS(USA) make machine with Rotary table 360° (4th Axis).
ACE Micromatic make machine with Pallet Changer.

CNC ANGULAR GRINDING »

3 Axis CNC Cylindrical Angular Grinding Machine, with in process width control and OD Control Gauge from MARPOSS (italy)



« CNC SHOP »

BH has equipped with CNC Lathes which includes HAAS(USA) and ACE Micromatic India Producing all major components in-house machining

GEAR SHOP »

BH equipped with Churchil Gear Hobbing machine and Red Ring UK Gear Shaving Machine for making in-house gear production

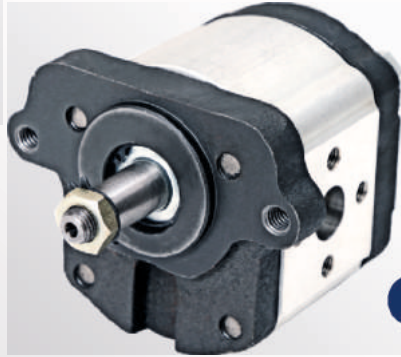


« ASSEMBLY & TESTING »

BH has DUST PROOF assembly room with Temperature control with AC for making assembly very precisely with controlled tolerance components for better performance



1



2



3



4

TECHNICAL DATA

Tractor & Model	Fig No.	MODEL	OEM Number	Flow
374VSF, 384SF, 394SF, 397, P087077 6860, 7860,8860,6870,7870,8870,8880,9880, BLIZZARD 65/75,85/95,6560,7560,8560, REX 80F,80V, 367CF, 374,384,1007, 373,383,393,377,387,397	2	HP-662	0510 525 339, 3534941M91, 3533911M91	11 CC
383,387,393,397,134,154,164T,233,234,253,254,263,264,333,363	1	HP-664	3539858 M91, 510525313	11 CC
383,387,393,397,1044,1134,174,184,194,273,274,283,284,293,294,373,383,393,377,387,397	1	HP-665	3539857 M91,0825212M91	11 CC
2500,6830,7830,8830,6840,7550,8550,6500,7500,8500,6860,7860,8860, 6870,7870,8870,6880,7880,8880,9880	1	HP-666	0510 625 016,510525042	16 CC
154F,154S,164S,174F,184F,184S,194F,194S,274C	1	HP-674	3539859 M91,1824474M91,1823870M91	19 CC
4500,5000,5830,5840,5860,5870,6030,6040,6060,6070,6550	2	HP-733	3539858M91,3539858M91	11 CC
	3	HP-734	LN3655 100J9A	8 + 11 CC
Landini 10000,13000,Trekker C75,85,95,Trekker New-70,80,90,100 Trekker New Tier-85,95,105	4	HP-815	1930398,1901326,8282449	22.5 CC
Landini 12500,14500, mf-Series:1000:1114:1134, Series 30:5530F,5530L,5530V,5830,6030,6030F,6030L,6030V,6530F,6530L,6530V, 6830,7530F,7530L,7830,8530F,8830L,8830, Series50:6550,7550,8550, Series500:5500,6500,7500,8500,9500, Series Large:10000,1000S,12500,13000,14500	4	HP-816	3536739M91, 3549614M91, 1425495M92	25 CC
	4	HP-819	3536740M91	36 CC
6860,7860,8860,6870,7870,8870,6880,7880,8880,9880	2	HP-675	0510 525 342, LN3543134 M91	14 CC



1



2

TECHNICAL DATA

Tractor & Model	Fig No.	MODEL	OEM Number	Flow
1180,1280,1380,1580,1880,85.90,90.90,100.90,110.90,115.90 UP TO CHASSIS NO.255142,130.90 UP TO CHASSIS NO.257502,140/90 UP TO CHASSIS NO.259537,160.90,180.90,50.86,55.86,60.86,62.86,70.86,72.86,82.86,72.93,72.94,82.93,82.94,88.93,88.94	1	HP-639	0510 625 362,5179714, A42X, 5129488	19 CC
55.46,60.46,65.56,70.56,45.66,55.66,65.66,60.66,70.66,80.66,45.76,55.76,60.76,70.76,80.76,72.76,50.86,55.86,60.86,62.86,70.86,82.86,60.93,65.93,60.94,65.94,72.93,82.93,350,400,450,480,500,540,466,566,666,766,980	1	HP-640	0510 525 046,5129481,5179722, C25X, 8273385, 1901322,1930061	11 CC
600,640,650,750,850,1000,1300,580,680,780,55/66,60/66,550,570,580,880,45-66, SOM 35, 400,411,415,420	1	HP-701	0510 425 032,5130133,5179724,C18X,5 68162,1901320	8 CC
	1	HP-645	A 33	15 CC
	1	HP-646	C 20	9.50 CC
466,566,640,650,666,750,766,800,850,880,900,1000,45-66,50-66,55-66,55-76,55-86,55-90,60-56,60-66,60-76,60-86,60-90,60-93,60-94,65-56,65-66,65-90,65-93,65-94,70-66,70-76,70-86,70-88,70-90,72-86,72-93,72-94,80-66,80-76,80-88,80-90,82-86,82-93,82-94,85-90,88-93,88-94,90-90,100-90,110-90,115-90,130-90,140-90,3010S,3435,3830,3935,4010S,5010S,4030,4135,4230,4430,45-66S,50-66S,50-86,50-86S,55-56,55-66S,55-86,55-86S,56-66S,60-56,60-66S,60-86,62-86,65-56,65-66S,70-56,70-66S,70-86,70-86S,72-86,80-66S,82-86	1	HP-647	0510 625 318,A 31 X, 5129483,5169772,5179719	16 CC
	1	HP-648	A 34	16.80 CC
	1	HP-652	C 33	15 CC



3



4



5

Tractor & Model	Fig No.	MODEL	OEM Number	Flow
300,411,415,420,800,400,450,500,540,550, SOM 25,30,312,315,480,715	1	HP-702	0510 425 324, A 18 X, , 5130127, 5179732,569309,1901319	8 CC
4635,4835,5635,6635,7635,8160,8260,8360, F100,110,115,120,130,140,L60,65,75,85,95,M100,115,135,160	1	HP-703	0510 625 063,5169041,5179726, C42 X	19.2 CC
TN 55,60,65,70,75,80,90,95,550,570,580,612,615,600,640,650,670,680,715, 750,780,880,980	1	HP-704	0510 525 357,5179730, A 25X, 569306,1901321,8280040	11 CC
	2	HP-718	0510 844 317,5186681	19 + 4 CC
	2	HP-719	76043440	19 + 8.5 CC
	2	HP-720	79066183	19 + 4 CC
	3	HP-722	0510 525 028	14 CC
130-90,140-90,160-90,180-90	3	HP-723	0510 625 036,5132400,1930267	19 CC
TL100 4835 TL70 5635 6635 L65 7635 TL90 TL80	3	HP-724	5180267	11 CC
55.90,60.90,65.90,70.90,80.90,85.90,90.90,100.90,65.94,72.94,82.94,88. 93,88.94,60.94DT	3	HP-725	0510 525 060,5128862,5167403,518026 9,C 25 X	11 CC
1390,1394,1490,1494,1594,1690,1694	1	HP-628	510625319,51625063,510525 046,510625362	19.20 CC
600,640,650,750,850,1000,1300,580,680,780	1	HP-644	5179724,C 18 X,5130133	8 CC
L60, L75, L85, M100,M115,M135,M160	3	HP-726	5180271	16 CC

Tractor & Model	Fig No.	MODEL	OEM Number	Flow
Models Serie: 90 100-90, 100-90DT, 110-90, 110-90DT, 115-90, 115-90DT, 130-90, 130-90DT, 140-90, 140-90DT, 160-90, 160-90DT, 180-90, 180-90DT, 65-90, 65-90DT, 70-90, 70-90DT, 80-90, 80-90DT, 85-90, 85-90DT, 90-90, 90-90DT Serie: 93 72-93, 72-93DT, 82-93, 82-93DT, 88-93, 88-93DT Serie: 94 72-94, 72-94DT, 82-94, 82-94DT, 88-94, 88-94DT	3	HP-727	5180273,0510 525 059,5135887 ,5167392 ,C33XRP,5167401,9969129	16 CC
T6.175, T6050, T6.180, T6060, TS110A STANDARD, T6070, T6010, TS130A STANDARD, T6020, T6.120, T6.125, T6030, T6.140, T6.145, T6.150, T6040, T6.155, TS100A, T6.160, TS100A STANDARD, T6.165, TS115A	3	HP-693	87314177 A,2TK19ASSAE9VR24U2F	19.2 CC
Case-IH Tractor JX JX90, JX95. JXC JX1085C, JX1095C. JXU JX105U, JX1070U, JX1080U, JX1090U, JX1100U, JX75U, JX85U, JX95U. Quantum 65V, 75N, 75V, 85C, 85N, 85U, 95C, 95N, 95V, Fiat Tractor. T4000 T4030, T4040, T4050. T4000 Deluxe T4040 Deluxe, T4050 Deluxe. T4000F T4030F, T4040F, T4050F. T4000N T4030N, T4040N, T4050N. T4000V T4020V, T4030V, T4040V,	4	HP-737	47129337	19 + 11 CC
90 115-90, 115-90DT, 130-90, 130-90DT, 140-90, 140-90DT, 160-90, 160-90DT, 180-90, 180-90DT, Classique 1180, 1180DT, 1280, 1280DT, 1380, 1380DT, 1580, 1580DT, 1880, 1880DT	5	HP-731	5135305,20A4X103FI,510 325 316, 5126478	6 CC
Models Fiat Tractor Serie: 90 140-90, 140-90DT, 160-90, 160-90DT, 180-90, 180-90DT	5	HP-732	5161711A,510 425 326 ,20A7X103FI	8 CC
Fiat 880, 980, 1180, 1280, 1380, 1580, 1880, 55.90, 60.90, 65.90, 70.90, 80.90, 85.90, 90.90, 100.90, 110.90, 115.90	3	HP-730	98307212,0510525060 C25XRP 98307212 5120851 5128862 5167403 5180269	11 CC
TL80A / TL88 / TL90A / TL100A, JX1080U / JX1090U / JX1100 / JX1100U	4	HP-721	47129338	22 + 14 CC
Models Serie: L L60, L75, L85 ;Serie: M M100 (D3394==>), M115 (D3394==>), M135 (D3394==>), M160 (D3394==>) Serie: Winner F100Dal, F100Fino, F110, F120, F130 (D3394==>), F140 (D3394==>)	3	HP-728	5180275,20A15X527- 12/10VBAM,0510 525 360,5135887 ,5167392 , A33XRP	16 CC
T4040F, T4050, T4030N, T4050F, T4040N, T4.105F, T4060F, T4050N, TD5050, T4.75F, T4060N, T4020V, TN85DA, T4.85F, T4030V, TN95DA, T4040V, T4.95F, T5040, T4050V, T5050, TN85SA, T5060, T4.105V, T4060V,	4	HP-735	87472285	27 + 14 CC
	3	HP-729	5180277,5G1/39881FIA,FIAT PSP A42XRP2	19 CC



TECHNICAL DATA

Tractor & Model	Fig No.	MODEL	OEM Number	Flow
654DT,683D, R 854,955,1156,CENTAURO 70, CENTURION 75,JAGUAR 95, LEOPARD 85/85,90, MERCURY 85, TAURUS 60, MINITAURUS 60, TIGER SIX 105, BUFFALO 130, CONDOR 55, 804, H490	1	HP-637	0510 525 311,245292900, P871200G1X, P87120061	11 CC
110,288,450,650,760,870, ASTER 60,70, H5110	1	HP-638	0510 625 315	16 CC
	1	HP-642	0510 625 525	22.5 CC
H 6130	2	HP-677	0510 625 317	16 CC
H 6160	2	HP-678	0510 625 316	19 CC
DELFINO 35, FALCON 50, AURORA 45, VIGNERON 35, 45 , 60, RANGER 45	2	HP-705	0510 325 307,245292500	5.5 CC
	3	HP-706	0510 515 347	11 CC
	4	HP-707	245299700	14 CC
A183,1206,1056, R1056DT,1256DT,1156,1356 UP TO CHASSIS NO.1133,1356DT,1556,1556DT, CORSARO SYN., JAGUAR 100, TRIDENT 130	4	HP-708	0510 625 327,245290160, P781600GLX , 2.4529.3300,P781600G2X	16 CC
	4	HP-709	0510 625 049	19 CC
	3	HP-710	245390900	19 CC
	4	HP-711	0510 425 322	8 CC
956,1106,1306,1356,1506,1556,1706,R105,6170,1456, BUFFALO 130, CENTAURO 70,70SP, CENTURION 75SP, LASER 90,100,110,130,150, GALAXY 170, LEOPARD 90, 90DT, MERCURY 85SP	4	HP-712	0510 525 024,245294200	11 CC
	4	HP-697	510 725 348,2.4539.330.0	22.50 CC
	3	HP-740	SA2.4539.310.0/10 A	16.20 CC



TECHNICAL DATA

Tractor & Model	Fig No.	MODEL	OEM Number	Flow
MERCURY 85, MINITAURUS 60, PANTHER 95, SATURNO, TAURUS 60, TIGER SIX 105, TRIDENT, ANTARES 100, 110, 130, GALAXY 170, LEOPARD 90, 90DT, BUFFALO 130, JAGUAR 95, HERCULES 160, LASER 90, 100, 110, 130, 150, 956, 1106, 1306T, 1706T, 1556, 1256, 1356, 3056, 1506, 6170, H.496, H.5116, H.6136, H.6170	4	HP-713	0510 725 348, 245293000/10	22.5 CC
603DT, 603S, 654, 684, 754, 854, BUFFALO 130, CONDOR 55, CENTAURO 70, CENTURION 75, JAGUAR 95, LEOPARD 85/85, 90, MERCURY 85, TAURUS 60, MINITAURUS 60, TIGER SIX 105, A184, R235, 235S, 470, R483	1	HP-714	0510 425 307, 245292700, 0510410303, 245292700/10, 245294200	8 CC
1156, 1356, 1556, ANTARES 100, 110, 130, GALAXY 170, HERCULES 160, LASER 90, 100, 110, 130, 150, BUFFALO 130, CENTURION 75, JAGUAR 95, LEOPARD 85, 90DT, MERCURY 85, PANTHER 95, TIGER SIX 105	4	HP-715	0510 625 332, 245294000	19 CC
	3	HP-716	0510 515 023	14 CC
FORMULA 115, 135, ANTARES 110, 130	3	HP-717	0510 715 008, 245297800	22.5 CC
	5	HP-736	245398600	14 + 11 CC
CENTAURO 70SP, CENTURION 75, LEOPARD 75C, MERCURY 85, SOLAR 60, TRIDENT 130, CHENILLARD, CENTAURO 70	4	HP-745	0510 525 329, P78120062, 24529390	14 CC
COMMON WITH HP-713 JUST DIFFERENT SHAFT	7	HP-679	0510 725 348	22.5 CC
A 182, 583, 653, 654, 683, 684, 684DT, R 684F, 754, 784, 854, 904, 955, H360, H470, H480	6	HP-680	0510 525 313, 245291500, 640R2050, 245293600	11 CC



TECHNICAL DATA

Tractor & Model	Fig No.	MODEL	OEM Number	Flow
Serie: 05 2505, 4005, 4505, 5005, 5505 Serie: 06 2506, 3006, 3006F, 4006, 4006F/S, 4006U, 4506, 4506F, 4506US, 5006, 5006F, 5006U, 5206, 5206F, 5206U, 5506, 5506F, 5506U, 6006, 6006F, 6006U, 6206, 6206F, 6206U, 6806, 6806F, 6806U, 7006, 7006F, 7006U, 7206, 7206A, 7206F, 7206U Serie: Classique 40L, 40UF, 55 Serie: DX DX36, DX50, DX55	1	HP-619	0510 515 309,510515323,510510307,510510310,510510322,01174516,01262592,01262593,01262637,01262638,01263342,02239042,02308661,0238662,0510510313,510515327	11 CC
D2506,D5006,D4006,D7006,D5006,DX3.10VC,3.30VC,3.50VC, D7007,D7207,D7807,D2807,3607,4007,4507,4807,5207,6007,DX36V,DX50,DX55	1	HP-620	0510 515 316,01176003,01175994,01174517,01262595,01262639,01262640,02239044,02308341,02308661,02312925,0439354,04345674,0510512302,0510515306,510515333	14 CC
DX7.10,DX3.70VC,DX110,D6207,6507C,6907C,DX3.30SC,3.50SC,3.30VC, 3.50VC,D8006,10006,13006	1	HP-621	0510 615 338,01176452,0510615327,01175997,0510 615 318	19 CC
D8006,10006,13006,4007,4507,4807,5207,6007,D6207,6507,D6806,DX3.10SC,3.10VC,D6807,D6206,7206,D7007,7207,7807, D6006,7006	1	HP-775	0510 615 326,01175656,01262641,01262643,02308663,02382914,04309354,04345302,01175994,0510615317,0510615333,01174513	16 CC
DX120 Agrostar 6.11, Agrostar 6.21, Agrostar 6.31, Agrostar 6.61 Serie: Agrostar Freisicht Agrostar 6.28 Freisicht, Agrostar 6.38 Freisicht	3	HP-778	0510 765 337,01179086	22 + 16 CC

Tractor & Model	Fig No.	MODEL	OEM Number	Flow
2505 3005 3006 4005 4006 4007 40L 55 4505 4506 4507 5005 5006 5206 5207 5506 6005 6006 6007 6206 6207 6507 6806 6807 7006 7207 7807 8006 9006 10006 13006 DX36 DX50 DX55 DX7.10 Dx86 , 92, DX4.50,4.70	1	HP-776	0510 715 306,0510715301 , 0510715312	22 CC
D6807 C,DX86,DX4.10,4.30,D8006,10006,13006,D7007,7207,7807,DX80,92 , INTERACT 2004 DX85,90,DX110,DX120	2	HP-661	0510 665 368,1174210	19 + 11 CC
DX DX110, DX110A, DX120, DX120A, DX85, DX85A, DX90, DX90A Serie: DX6 DX6.10, DX6.30, DX6.50	2	HP-777	0510 665 382,01176000,04345364,0510 665335,04945364	16 + 11 CC
DX DX110, DX110A, DX120, DX120A, DX145, DX145A, DX85, DX85A, DX90, DX90A Serie: DX6 DX6.10, DX6.30, DX6.50	2	HP-779	0510 665 381,1175992,01174402,01172 765,04311475,04345365,0510 665366	16 + 14 CC
DX DX110, DX110A, DX120, DX120A, DX85, DX85A, DX90, DX90A Serie: DX6 DX6.10, DX6.30, DX6.50	2	HP-686	22A16X095/14X97,1175992	16 + 14 CC
DX DX110, DX110A, DX120, DX120A, DX145, DX145A, DX85, DX85A, DX90, DX90A Serie: DX6 DX6.10, DX6.30, DX6.50	2	HP-663	510765315,011764551,51076 5336,2A22X095/14X097	22.5 + 14 CC

FENDT/JOHN DEERE



TECHNICAL DATA

Tractor & Model	Fig No.	MODEL	OEM Number	Flow
FARMER 105S,105LS,106S,106LS,108S,108LS, FARMER 200S,200V,203V,203P, F250GT,F275GT	1	HP-643	0510 515 316,G144940012010,G27894 1100010,0510512304,051051 5333	14 CC
FAVORIT 3S (FW 165), 4(FW180),610S,611S,612S,614S,F225, FARMER 3S, F255GT	1	HP-687	0510 515 309,G150403101012,0510510 304,0510510312	11 CC
FIX 2E, FARMER 1D,1E,1Z, F231GT	2	HP-657	0510 415 313,0510310303, 0510315304,0510410322,051 0415311	8 CC
500,510,700,710	2	HP-658	0510 515 310,AL15149	11 CC
500,510,700,710	2	HP-659	0510 615 314,AL16963,AL37752	16 CC

BOBARD/IH, INTER CASE



TECHNICAL DATA

Tractor & Model	Fig No.	MODEL	OEM Number	Flow
	1	HP-681	510325006, AZPF-11-005RCB20MB * 20C6,3X086 * C6X3C3-B * 1PF2G2-41/005RC20MB * 1PF2G241/005RC20MB * 00363013 A * 00363013A	5.5 CC
	1	HP-682	510625022	16 CC
	2	HP-683	510 415 313	8 CC
Fendt Farmer 100 108LS , 108LSA , 108S , 108SA John Deere 10 510 , 710 Steyr 1000 1200 80 8060(A) , 8070(A) , 8075(A)/(A)S/(A)P , 8080(A) Turbo , 8100(A) , 8110(A) , 8120(A) Turbo , 8130(A) Turbo , 8140(A) , 8160A Turbo 9000 9090M , 9090MT Plus 1090(A)	2	HP-684	510615314,AL16963, AL37752	16 CC
	3	HP-685	(REF NO.685 615 010),0510 615 010	16 CC

Tractor & Model	Fig No.	MODEL	OEM Number	Flow
	4	HP-641	510 565 325,510900017	11 + 5.5 CC
	5	HP-603	402.80.157201,704 30 R95	11 CC
Allis-Chalmers TRACTOR: 5040 Allis-Chalmers TRACTOR: 5045 Allis-Chalmers TRACTOR: 5050 Fiat TRACTOR: 466: 466DT: 480 : 480DT: 500: 500DT: 540, 540DT, 55-56,55-56DT, 55-66, 55-66DT, 566, 566DT, 60-56, 60-56DT, 60-66, 60-66DT, 60-86F, 60-86FDT, 60-86SV, 60- 86SVDT, 60-86V, 65-56, 65-56DT : 666, 666DT: 70-56: 70-56DT: 70-66: 70-66DT: 70-66S: 766: 766DT: 80- 66: 80-66DT : 980 (SN <705690): 980DT (SN <705690) Ford / New Holland TRACTOR: 3010S (SN 400001M>): 3830: 4010S (SN 400001M>) : 4030: 4230: 4330V: 4430: 5010S (SN 400001M>): 5530 (3/1992 Thru 12/1997) : 6530 (3/1992 Thru 12/1997)	6	HP-640	82733825,C25X, 5129481, 8273385, 1930061, 1901322, 5121076, 72093688, 72091615, 72091313, 670710AS,44900839/517972 2	11 CC
	7	HP-777	777665335,777665382,R918C 01954,15570750003,1557007 50003,01176000,G380940010 110,0510665335,4345364	16 + 11 CC

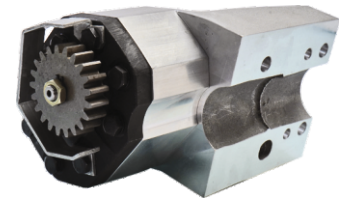
SPECIAL APPLICATIONS



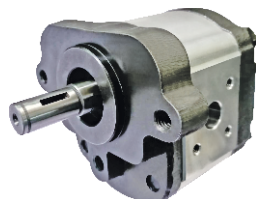
HP-602
11 CC



HP-754
15.7 CC



HP-870
18 CC



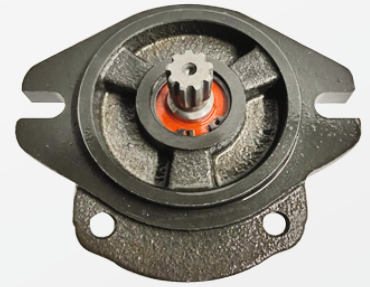
HP-881
6.3 CC



HP-880
11+8.2 CC

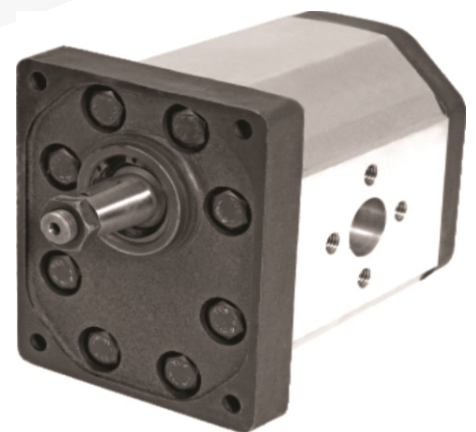
GROUP 2

Pump Type	Displacement in ³ /Rev	Pressure P1 Bar	Max. Speed rpm	Dimension			
				A	B	Suction	Delivery
				inch	inch	C	D
G2S1. x4	0.24	250	3600	1.69	3.68	SAE12 1-1/16"- UN2B	SAE 10 7/8"-UNF2B
G2S1. x6	0.36	250	3600	1.77	3.74		
G2S1. x8	0.48	250	3600	1.85	3.86		
G2S1. x10	0.61	250	3600	1.89	4.03		
G2S1. x12	0.73	250	3600	1.97	4.17		
G2S1. x14	0.85	250	3600	2	4.27		
G2S1. x16	0.97	200	3600	2.07	4.39		
G2S1. x20	1.22	200	3600	2.2	5.16		
G2S1. x22	000	200	3600	2.28	5.27		
G2S1. x25	1.52	200	3600	2.36	5.49		
G2S1. x30	1.83	160	3600	2.52	5.82	SAE 16 1-5/16"UN2B	SAE 12 1-1/16"-UN2B
G2S1. x32	1.95	160	3600	2.87	5.93		



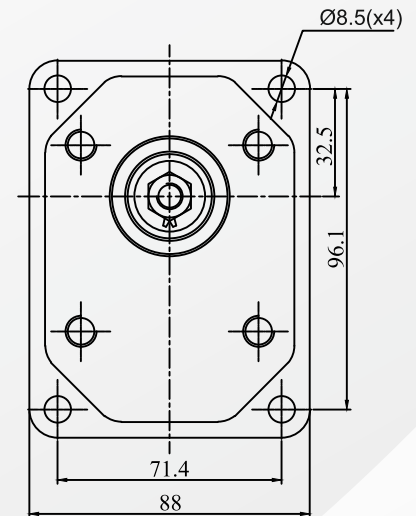
GROUP 3

MODEL NO.	Displacement CC/RVE.	PRESSURE P BAR	MAX SPEED rpm	DIMENSION	
				A	B
				mm	mm
G320	20.0	250	3000	56.10	118.20
G322	22.0	250	3000	57.60	121.20
G325	25.0	250	3000	58.30	123.20
G328	28.0	250	3000	60.20	126.20
G332	32.0	250	3000	66.50	141.20
G336	36.0	250	2800	68.00	145.20
G342	42.0	230	2500	70.80	150.70
G346	46.0	230	2300	72.70	155.20
G350	50.0	200	2100	74.50	159.20
G355	55.0	200	1750	76.70	163.20
G360	60.0	180	1750	78.70	168.20



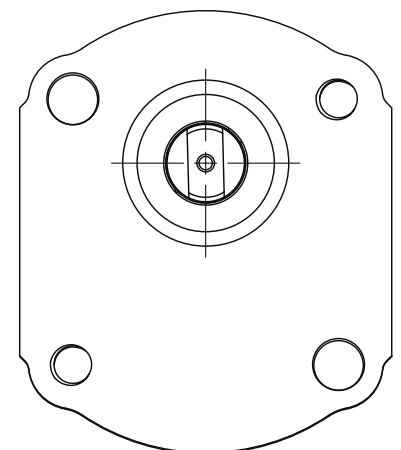
GROUP 2 TANDEM ('T' SERIES) FRONT

Pump Type	Displacement cc ³ /rev	Pressure P1 bar	Max Speed rpm	DIMENSION	
				A	B
				mm	mm
G2TFD.X4	4.00	250	3500	42.50	80.15
G2TFD.X5	5.00	250	3500	42.50	82.65
G2TFD.X8	8.00	250	3500	43.35	86.35
G2TFD.X11	11.00	250	3000	45.60	91.35
G2TFD.X14	14.00	250	2500	49.00	96.35
G2TFD.X16	16.00	250	2500	49.00	99.75
G2TFD.X19	19.00	230	2500	54.00	104.75
G2TFD.X22	22.00	210	2500	56.50	109.65
G2TFD.X25	25.00	170	2500	60.25	114.35
G2TFD.X28	28.00	140	2500	62.35	119.15
G2TFD.X30	30.00	130	2000	63.75	122.15



GROUP 2 TANDEM ('T' SERIES) REAR

Pump Type	Displacement cc ³ /rev	Pressure P1 bar	Max Speed rpm	DIMENSION	
				A	B
				mm	mm
G2TRD.X4	4.00	250	3500	37.50	84.20
G2TRD.X5	5.00	250	3500	37.50	86.20
G2TRD.X8	8.00	250	3500	38.35	90.20
G2TRD.X11	11.00	250	3000	40.60	95.50
G2TRD.X14	14.00	250	2500	44.00	100.50
G2TRD.X16	16.00	250	2500	44.00	103.80
G2TRD.X19	19.00	230	2500	49.00	108.80
G2TRD.X22	22.00	210	2500	51.50	114.00
G2TRD.X25	25.00	170	2500	55.25	119.00
G2TRD.X28	28.00	140	2500	57.35	123.20
G2TRD.X30	30.00	130	2000	58.75	126.00



PRECISION MACHINED COMPONENT



EXCLUSIVE PACKING



JAN.-2024

Note : Original equipment manufacture name and part numbers are used for reference purpose only, and are not intended to use that our replacement parts are used as equipments. some of the portion shown on this catalogue, for more product details please contact us or visit our website. Merbok is registered trade mark in India.

BOSS HYDRAULICS LLP

Reg. office & Works

C-1/276, Phase 1, G.I.D.C., Naroda.
Ahmedabad - 382 330. Gujarat, INDIA.

Tel.: +91-79-22800836/38/39

☎ No.:+91 82009 91846

E-mail : exports@merbok.in

Web : www.merbok.in